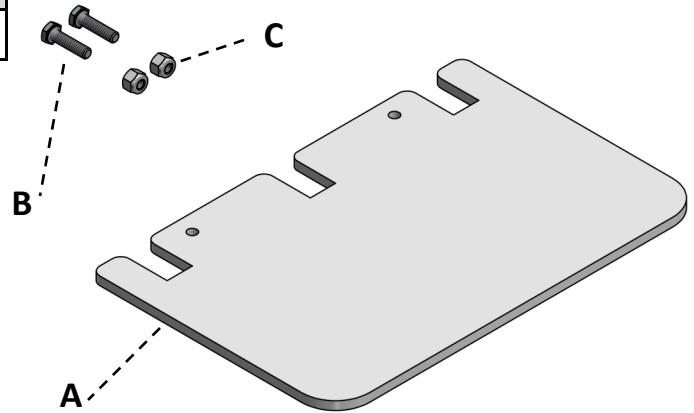


Carrier Plate Assembly Instructions

Item	Description	Qty.	Part No.
A	Carrier Plate	1	2025-821
B	Bolt, 1/4"-20 x 1"	8	8007-002
C	Lock Nut, 1/4"-20	8	8001-004

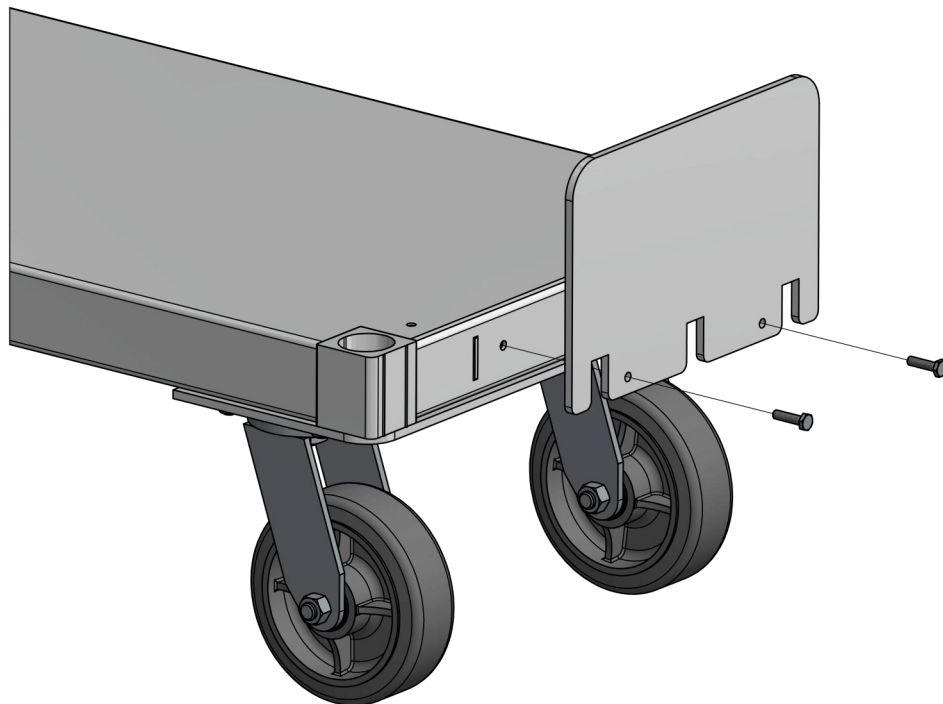
Tools Required:

(2) 7/16" Wrench/Socket



1. To attach a carrier plate (A) to a bulk delivery cart align the holes in the plate to the holes** in the end of the bulk delivery cart deck. Secure the plate to the deck with bolts (B) and nuts (C).

** If there aren't holes in the end of the bulk delivery cart use the carrier plate to locate 2 holes centered on the end of the cart and drill for a 1/4" bolt.



www.magcoa.com
(800) 255-9390

